



Linde Material Handling

*Linde*



## Order Picker

# N20 C D

Capacity 2.0 t | Series 4589

### Agile double-deck order picker

- Load capacity up to 2000 kg for two pallets
- Power steering and compact chassis for high maneuverability
- Maximum speed of 12 km/h for fast load transport
- Automatic speed adjustment for maximum safety
- Innovative Linde steering wheel for intuitive operation

# TECHNICAL DATA (According to VDI 2198)

Characteristics	1.1	Manufacturer		LINDE
	1.2	<b>Model</b>		<b>N20 C D</b>
	1.2a	Series		4589
	1.3	Drive		Electric
	1.4	Operator type		Stand-on
	1.5	Rated capacity / rated load	Q (t)	2.0 (1.2 on main lift)
	1.6	Load centre distance	c (mm)	600
	1.8	Load distance, centre of drive axle to fork	x (mm)	944 / 816 <sup>3)</sup>
	1.9	Wheelbase	y (mm)	2260 / 2132 <sup>3) 4) 5)</sup>
Weight	2.1	Service weight (including battery)	(kg)	1476
	2.2	Axle loading, laden front / rear	(kg)	1278 / 2198
	2.3	Axle loading, unladen front / rear	(kg)	1024 / 452
Wheels and tyres	3.1	Tyres		Polyurethane
	3.2	Tyre size, front		254 × 102
	3.3	Tyre size, rear		85 × 60
	3.4	Additional wheels (dimensions)		150 × 50
	3.5	Wheels, number front / rear (x=driven wheels)		1x - 1/4
	3.6	Tread, front	b10 (mm)	474
	3.7	Tread, rear	b11 (mm)	380
Dimensions	4.2	Height, mast lowered	h1 (mm)	see table
	4.3	Free lift	h2 (mm)	see table
	4.4	Lift	h3 (mm)	1580
	4.5	Height, mast extended	h4 (mm)	see table
	4.6	Initial lift	h5 (mm)	130
	4.8	Stand height / Seat height (min / max)	h7 (mm)	130 <sup>7)</sup>
	4.9	Height drawbar in driving position min. / max.	h14 (mm)	1258 <sup>8)</sup>
	4.1	Height of wheel arms	h8 (mm)	85
	4.14	Stand height, elevated (with lifting platform)	h12 (mm)	1182 / 1197 <sup>9)</sup>
	4.15	Forks height, lowered	h13 (mm)	91
	4.19	Overall length	l1 (mm)	2653 <sup>4) 5)</sup>
	4.20	Length to face of forks	l2 (mm)	1503 <sup>4) 5)</sup>
	4.21	Overall width	b1 (mm)	800
	4.22	Fork dimensions	s / e / l	55 / 180 / 1150
	4.24	Fork-carriage width	b3 (mm)	711
	4.25	Distance between fork-arms	b5 (mm)	560
	4.31	Ground clearance, laden, below mast	m1 (mm)	19 / 143 <sup>3)</sup>
	4.32	Ground clearance, centre of wheelbase	m2 (mm)	25 / 155 <sup>3)</sup>
	4.34	Aisle width for for pallets 800 × 16 lengthways (fork raised)	Ast (mm)	3067 <sup>3) 4) 5)</sup>
	4.34.1	Aisle width for pallets 1000 × 1200 crossways (fork raised)	Ast (mm)	-
4.34.2	Aisle width for pallets 800 × 1200 crossways (fork raised)	Ast (mm)	-	
4.35	Turning radius	Wa (mm)	2440 / 2313 <sup>3) 4) 5)</sup>	
Performance	5.1	Travel speed laden / unladen	(km/h)	9 / 12
	5.1.1	Travel speed laden / unladen, backwards	(km/h)	8 / 10
	5.2	Lift speed laden / unladen	(m/s)	0.15 / 0.25
	5.3	Lowering speed laden / unladen	(m/s)	0.19 / 0.25
	5.8	Max. gradeability laden / unladen	(%)	8 % / 15 % (8.9 %; 7.1 %) <sup>14)</sup>
	5.9	Acceleration time, laden / unladen	(s)	6.6 / 5.3
	5.10	Service brake		Electromagnetic
Drive	6.1	Drive motor, rating S2 = 60 min	(kW)	3
	6.2	Lift motor, rating at S3	(kW)	2.2 / 5 %
	6.3	Battery according to DIN 43531 / 35 / 36; A, B, C, no		no
	6.4	Battery voltage / nominal capacity K5	(V) / (Ah)	24 / 345 - 465
	6.5	Battery weight ± 5 %	(kg)	402
	6.6	Energy consumption according to DIN EN 16796	(kWh/h)	0.39
	6.6.1	CO2 equivalent emissions	(kg/h)	0.2
	6.7	Turnover output	(t/h)	126
6.8	Energy consumption at turnover output	(t/kWh)	74.1	
Others	8.1	Drive control		AC control
	10.7	Sound level at driver's ear	(dB(A))	< 70

2) With forks length 2390 mm / x = 1615 mm / pull bar version; for other forks dimension see table in Linde World

3) With load arms or forks raised

4) With lifting platform + 50 mm

5) With tray 4 PzS or Li-ION + 114 mm

7) With lifting platform option standard version + 15 mm; with lifting platform option damped version + 30 mm

8) With lifting platform option standard version + 72 mm; with lifting platform option damped version + 87 mm; with tiller adjustment option, h14 setting range = + 89 mm / - 19 mm

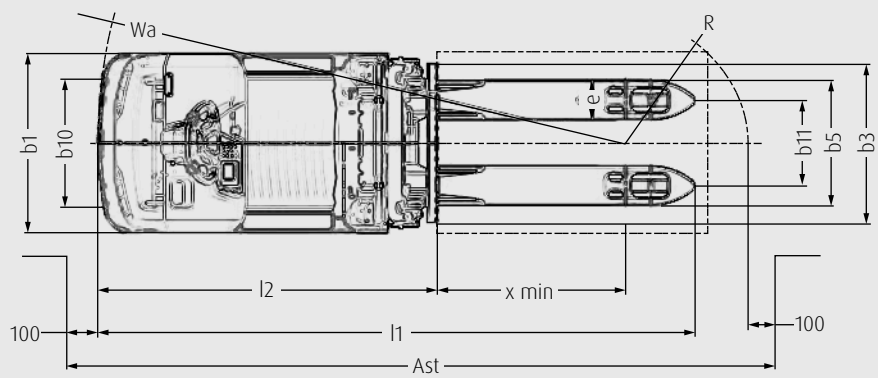
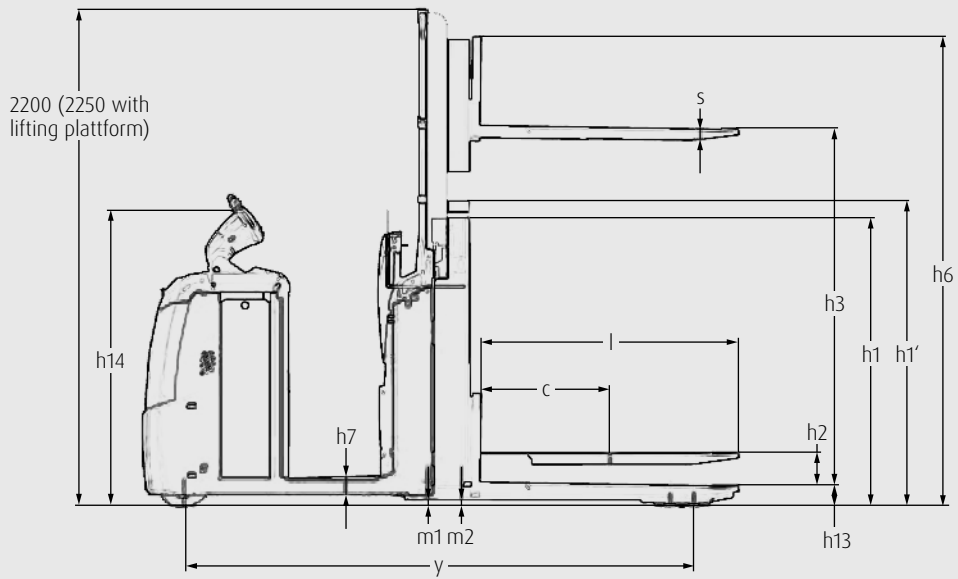
9) With lifting platform option standard / damped version

11) Faster truck version available as optional: 10 km/h laden (except for trucks with Li-ION battery) / 14 km/h unladen

12) Faster truck version available as optional: 14 km/h unladen

13) On rounded edge slope with forks / arms raised, if possible

14) For the geometric limit on unrounded edge slope, see table in Linde World



# MAST TABLES

## STANDARD MAST (in mm)

Series		
Lift	h3: 7600	
Height measurements	h1: 1351 h3: 1580	h2: 150 h4: 2066
Model		
N20 C D	●	

● Standard equipment

**h1:** Height of mast, lowered

**h2:** Free lift

**h3:** Lift

**h4:** Height of mast, extended



# STANDARD AND OPTIONAL EQUIPMENT

	Model/Equipment	N20 C D
Safety	Front chassis protections	○
	Linde BlueSpot™	○
	Front LED stripes	○
	Flashing beacon	○
	Front panoramic mirror	○
	Automatic speed reduction in curves	●
	Rear feet protection	○
	Key switch	●
	Log PIN code	○
Service	CAN bus technology	●
Digitalisation	Linde connect	○
	ac: access control PIN	○
	ac: access control RFID	○
	Data transfer Wifi	○
	Data transfer Online	○
	dt: crash detection	○
	an: usage analysis	○
	Bluetooth USB Stick	○
	dt: trouble codes	○
Operation/ Load Handling	Inching control (forward only or forward/backward)	○
	Rear initial lift control	○
	Low Speed if initial lift low	○
	Initial lift electrical stop sensor	●
	Load backrest 1450 mm and 1700 mm	○
	Front picking shelf (capacity 25 kg)	○
Environment	Cold store protection -35 °C (in/out)	○
Workplace	Raising platform	○
	Platform with damping mat	●
	Air-damped platform	○
	Height adjustable Linde Steering Wheel	○
	Mast control integrated on Linde Steering wheel	●
	Basic rounded display	●
	Multifunction colored display hourmeter, maintenance indication, battery discharge indicator and internal fault code indication	○
	Fixed roundly-shaped backrest equipped with handle	●
	Height adjustable backrest incl. foldable seating support	○
	Cushioned knee protection and foldable leg rest step	○
	Front accessory bar - Low/high	○
	Rear accessory bar - Low/high	○
	Support data terminal and power supply cable 24 V	○
	Support clipboard DIN A4	○
	Support for scanner and shrink wrap holder	○
	Workstation with A4 clip integrated	●
Dashboard with incorporated storage compartment	○	
Attachment/ Forks	Fork carriage length: 1150 mm with width of 560 mm	●
	Overhang: 176 mm	●
Axles and Tyres	Drive wheel polyurethane	●
	Drive wheel cushion rubber, non marking and wet grip	○
	Single load wheels (greaseable) polyurethane	●
	Tandem load wheels polyurethane (greaseable)	○
	Single polyurethane castor wheels	●
	Tandem polyurethane, polyurethane greaseable castor wheels	○
Drive and Brake-System	Power assisted steering	●
	3 kW AC motor (maintenance free)	●
	Electromagnetic braking system	●
	Battery compartment, vertical change 3 PzS (300 Ah/375 Ah)	●
	Battery compartment, vertical change 4 PzS (480 Ah/620 Ah)	○
	Battery compartment, lateral change 3 PzS (300 Ah/375) and 4 PzS (500 Ah), incl. ergonomic lever and metal rollers	○
	Battery compartment, lateral change 3 and 4 PzS high incl. a simple battery un/locking system	○
	Battery compartment, Li-ION battery 4.5 kWh (205 Ah) B1/9.0 kWh (410 Ah) B2 incl. side plug for opportunity charging	○
	Battery compartment, lateral change 3 PzS and 4 PzS for competitor batteries	○
Li-ION 24 V-Charger	○	

● Standard equipment

○ Optional equipment



# CHARACTERISTICS



Front casted steel bumper

## Safety

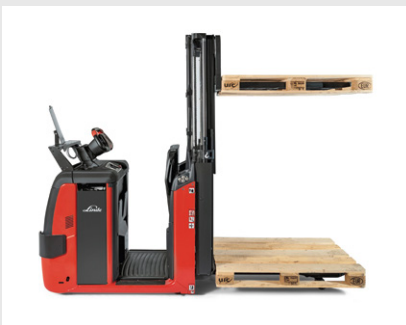
- Chassis with rounded edges provides collision safety
- Specially designed steering wheel keeps driver arms within the vehicle contour
- Automatic curve assistant provides safety in curves
- Separate braking systems ensure safe braking to suit the environment and load
- Additional options such as front LEDs and Linde BlueSpot™ maximize safety



Intuitive Linde steering wheel

## Ergonomics

- Height-adjustable Linde Steering Wheel ensures comfortable working posture
- Damped platform protects against shocks and vibrations
- Gentle backrest reduces physical strain
- Controls directly on the Linde Steering Wheel for intuitive operation
- Low boarding height and one-sided access facilitate entering and leaving the vehicle



Double stacking

## Handling

- Powerful 3 kW three-phase AC motor ensures top speeds of up to 14 km/h
- Intuitive operating concept facilitates control of all vehicle functions
- Mast command integrated on left side of the steering and on both sides of the rear part
- Liftable operator's platform ensures convenient order picking on first and second levels
- Pedestrian operation allows the vehicle to be controlled from the outside
- Clear multifunctional display provides an overview of vehicle information



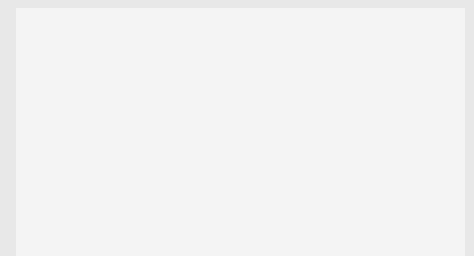
Easy and quick access to all components

## Service

- Low-maintenance design ensures high vehicle availability
- Adjustment of the brakes is not necessary
- Service check only after 1000 operating hours
- Free access to all important vehicle components
- Clearly arranged cable harnesses for fast service
- CAN bus connection ensures simple service processes
- Lead-acid or lithium-ion batteries ensure optimum energy supply

Subject to modification in the interest of progress. Illustrations and technical details could include options and not binding for actual constructions. All dimensions subject to usual tolerances.

Presented by:



**Linde Material Handling GmbH**  
Carl-von-Linde-Platz | 63741 Aschaffenburg | Germany  
Phone + 49 6021 99 0 | Fax + 49 6021 99 1570  
www.linde-mh.com | info@linde-mh.com

Printed in Germany DS\_N20C D\_4589\_en\_A\_1121